

Lutze DRIVEFLEX[®] 3 Symmetrical Grounds, Shielded

NEW

Flexible Composite VFD, Servo & Motor Supply Cable with Three Symmetrical Grounds and UL 2kV Voltage Rating



Application

- Shielded VFD and Servo-Motor cable to connect power from drives to motors
- Three insulated symmetrical grounds design helps to reduce stray currents
- Cable design for harsh industrial environments and operating conditions with high noise levels
- 2 kV rated XLPE thick wall insulation with low capacitance, ideal for applications with **high voltage spikes and long cable runs**
- Compliant with **NFPA 79** for wiring of industrial machinery
- **TC-ER** for use with cable trays **without conduit**, which can reduce material and labor costs
- WTTC – wind turbine tray cable rating for use in wind power generation
- Dry, damp or wet conditions

Characteristics

- Flexible XLPE conductors
- Three symmetrical grounds (PE)
- Non-wicking fillers
- Effective dual layer shield for best EMC results
- Specially formulated jacket for oil resistance and easy strip design
- Low capacitance cable
- Sunlight resistant
- Direct burial
- UL Type TC-Exposed Run
- Talc free and silicone free

Technical Data

| | |
|-------------------|---|
| Voltage | 2000V Flexible VFD Servo cable 90C 1000V WTTC |
| Temperature | -40°C - +90°C static |
| Bending radius | 7.5 x cable OD |
| Conductor marking | Black with white numbers and three green/yellow ground |
| Approvals | UL Type Flexible VFD Servo Cable UL Types WTTC, TC-ER C(UL) TC CIC control cable FT4 CE Class 1, Div. 2 per NEC Art. 336, 392, 501 UL 1277, UL2277 Oil res II Wet/Dry RoHS, REACH |

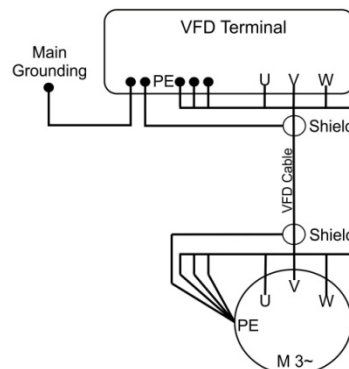
Construction

- Flexible fine wire stranded tinned copper conductors for improved electrical characteristics and reduced oxidation
- XLPE insulation, Wet/Dry
3C RHW-2 (Power), 3C XHHW-2 (Grounds/PE)
- Shielded with foil tape, tinned copper braid with ≥80% optical coverage, and drain wire
- Flexible, oil resistant black PVC jacket



WITH THREE SYMMETRICAL GROUNDS

| Part No. | Description No. of conductors incl. ground | OD - Ø ca. mm | OD - Ø inches | Weight Lbs/Mft | Copper Lbs/Mft |
|------------------|---|---------------------|------------------|-------------------|-------------------|
| A2190603 | AWG 6 (206/29) AWG12 (50/29) 3C + 3PE | 31.4 | 1.234 | 680 | 416 |
| A2190403 | AWG 4 (322/29) AWG12 (50/29) 3C + 3PE | 32.6 | 1.281 | 882 | 573 |
| A2190203 | AWG 2 (511/29) AWG10 (80/29) 3C + 3PE | 34.9 | 1.374 | 1224 | 860 |
| A2190103 | AWG 1 (644/29) AWG8 (128/29) 3C + 3PE | 39.2 | 1.543 | 1583 | 1105 |
| A2191/003 | 1/0 (812/29) AWG8 (128/29) 3C + 3PE | 43 | 1.693 | 1845 | 1323 |
| A2192/003 | 2/0 (1022/29) AWG8 (128/29) 3C + 3PE | 45.8 | 1.803 | 2174 | 1595 |
| A2193/003 | 3/0 (1288/29) AWG6 (206/29) 3C + 3PE | 51 | 2.008 | 2670 | 2032 |
| A2194/003 | 4/0 (1638/29) AWG6 (206/29) 3C + 3PE | 59 | 2.321 | 3276 | 2432 |



Specifications are subject to change without prior notice