

# Lutze DRIVEFLEX® 3 Symmetrical Grounds, Shielded

NEW

## Flexible Composite VFD, Servo & Motor Supply Cable with Three Symmetrical Grounds and UL 2kV Voltage Rating



### Application

- Shielded VFD and Servo-Motor cable to connect power from drives to motors
- Three insulated symmetrical grounds design helps to reduce stray currents
- Cable design for harsh industrial environments and operating conditions with high noise levels
- 2 kV rated XLPE thick wall insulation with low capacitance, ideal for applications with **high voltage spikes and long cable runs**
- Compliant with **NFPA 79** for wiring of industrial machinery
- **TC-ER** for use with cable trays **without conduit**, which can reduce material and labor costs
- WTTC – wind turbine tray cable rating for use in wind power generation
- Dry, damp or wet conditions

### Characteristics

- Flexible XLPE conductors
- Three symmetrical grounds (PE)
- Non-wicking fillers
- Effective dual layer shield for best EMC results
- Specially formulated jacket for oil resistance and easy strip design
- Low capacitance cable
- Sunlight resistant
- Direct burial
- UL Type TC-Exposed Run
- Talc free and silicone free

### Technical Data

Voltage	<b>2000V</b> Flexible VFD Servo cable 90C 1000V WTTC
Temperature	-40°C - +90°C static
Bending radius	7.5 x cable OD
Conductor marking	Black with white numbers and three green/yellow ground
Approvals	UL Type Flexible VFD Servo Cable UL Types WTTC, TC-ER C(UL) TC CIC control cable FT4 CE Class 1, Div. 2 per NEC Art. 336, 392, 501 UL 1277, UL2277 Oil res II Wet/Dry RoHS, REACH

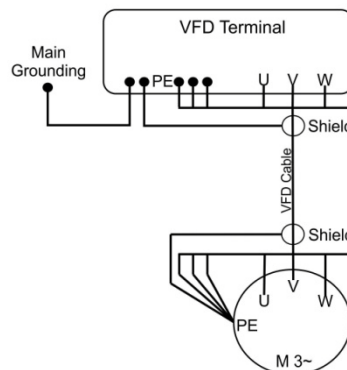
### Construction

- Flexible fine wire stranded tinned copper conductors for improved electrical characteristics and reduced oxidation
- XLPE insulation, Wet/Dry  
3C RHW-2 (Power), 3C XHHW-2 (Grounds/PE)
- Shielded with foil tape, tinned copper braid with ≥80% optical coverage, and drain wire
- Flexible, oil resistant black PVC jacket



### WITH THREE SYMMETRICAL GROUNDS

Part No.	Description No. of conductors incl. ground	OD - Ø ca. mm	OD - Ø inches	Weight Lbs/Mft	Copper Lbs/Mft
<b>A2190603</b>	<b>AWG 6 (206/29)</b> <b>AWG12 (50/29)</b> 3C + 3PE	31.4	1.234	960	416
<b>A2190403</b>	<b>AWG 4 (322/29)</b> <b>AWG12 (50/29)</b> 3C + 3PE	32.6	1.281	1118	573
<b>A2190203</b>	<b>AWG 2 (511/29)</b> <b>AWG10 (80/29)</b> 3C + 3PE	34.9	1.374	1433	860
<b>A2190103</b>	<b>AWG 1 (644/29)</b> <b>AWG8 (128/29)</b> 3C + 3PE	39.2	1.543	1860	1105
<b>A2191/003</b>	<b>1/0 (812/29)</b> <b>AWG8 (128/29)</b> 3C + 3PE	43	1.693	2299	1323
<b>A2192/003</b>	<b>2/0 (1022/29)</b> <b>AWG8 (128/29)</b> 3C + 3PE	45.8	1.803	2700	1595
<b>A2193/003</b>	<b>3/0 (1288/29)</b> <b>AWG6 (206/29)</b> 3C + 3PE	51	2.008	3148	2032
<b>A2194/003</b>	<b>4/0 (1638/29)</b> <b>AWG6 (206/29)</b> 3C + 3PE	59	2.321	4120	2432



Specifications are subject to change without prior notice